



## CAST IRON ARMATURE BULGARIA® SA

7800 Popovo, Industrial zone

Phone: + 359 608 43654

<http://www.cia.bg>

E-mail: [cia@cia.bg](mailto:cia@cia.bg)



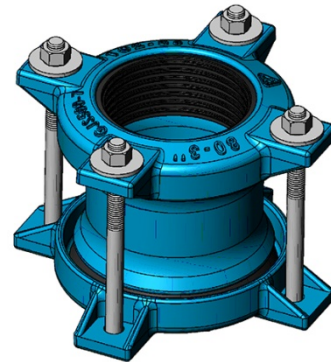
<b>JIB</b>	<b>DN</b>	<b>PN</b>
<b>SERIES 810</b>	<b>80</b>	<b>16</b>

### APPLICATION & INSTALLATION



The jib can be installed on pipes from different materials and diameters for pressure up to PN16 in the specified range. It is used for connecting of two pipes.

It can be used as a mounting connector.



### MATERIALS FOR MAJOR DETAILS

No	Detail	Material	Number	Standard
1	Body and locking flange	EN-GJS 500-7	5.3200	BDS EN1563
2	Bolt	St 37-2	1.0037	BDS EN17100
3	Sealing	EPDM		
4	Washer	St 37-2	1.0037	BDS EN17100
5	Nut	St 37-2	1.0037	BDS EN17100
	Coating	Epoxy RAL 5015		

### DIMENSIONS

DN	Outer diameter of the pipe		G, kg
	min	max	
65	67	86	5.6
80	84	106	5,1
100	102	118	7.75
100	107	128	7.85
150	154	177	11.4
150	166	184	10.8

