



CAST IRON ARMATURE BULGARIA® SA
7800 Popovo, Industrial zone
Phone: + 359 608 43654
<http://www.cia.bg>
E-mail: cia@cia.bg



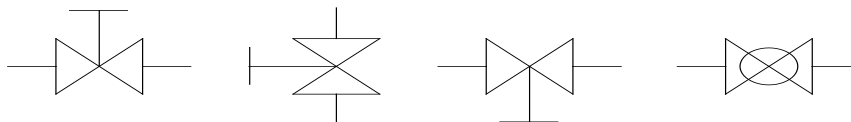
CAST IRON GATE VALVE	DN	PN
SERIES 254	350 - 800	10

APPLICATION

The valve is a pipeline fixture for letting out, stopping and fluid stream regulation, which closing executive body moves across the fluid direction. The gate valves are mounted on pipelines, through which is transported water or non-aggressive liquids at a pressure not exceeding PN10 and $T_{max} = 70^{\circ} C$.



INSTALLATION



Normal

Possible

Not possible

Possible

MATERIALS FOR MAJOR DETAILS

No.	Detail	Material	Number	Standard
1	Body	EN-GJL-250	5.1301	BDS EN 1561
2	Body ring	CuZn38Pb2	CW608N	BDS EN 1982
3	Wedge ring	CuZn38Pb2	CW608N	BDS EN 1982
4	Wedge	EN-GJL-250	5.1301	BDS EN 1561
5	Stem nut	EN-GJL-250	5.1301	BDS EN 1561
6	Stem	X20Cr13	1.4021	BDS EN 10088-1
7	Bonnet	EN-GJL-250	5.1301	BDS EN 1561
8	Sealing box	EN-GJL-250	5.1301	BDS EN 1561
9	Sealing bonnet	EN-GJL-250	5.1301	BDS EN 1561
10	Hand reel	EN-GJL-250	5.1301	BDS EN 1561
	Construction lengths			BDS EN 558 + A1
	Flanges			BDS EN 1092-2
	Coating	Alkyd enamel RAL 5015		



CAST IRON ARMATURE BULGARIA® SA

7800 Popovo, Industrial zone

Phone: + 359 608 43654

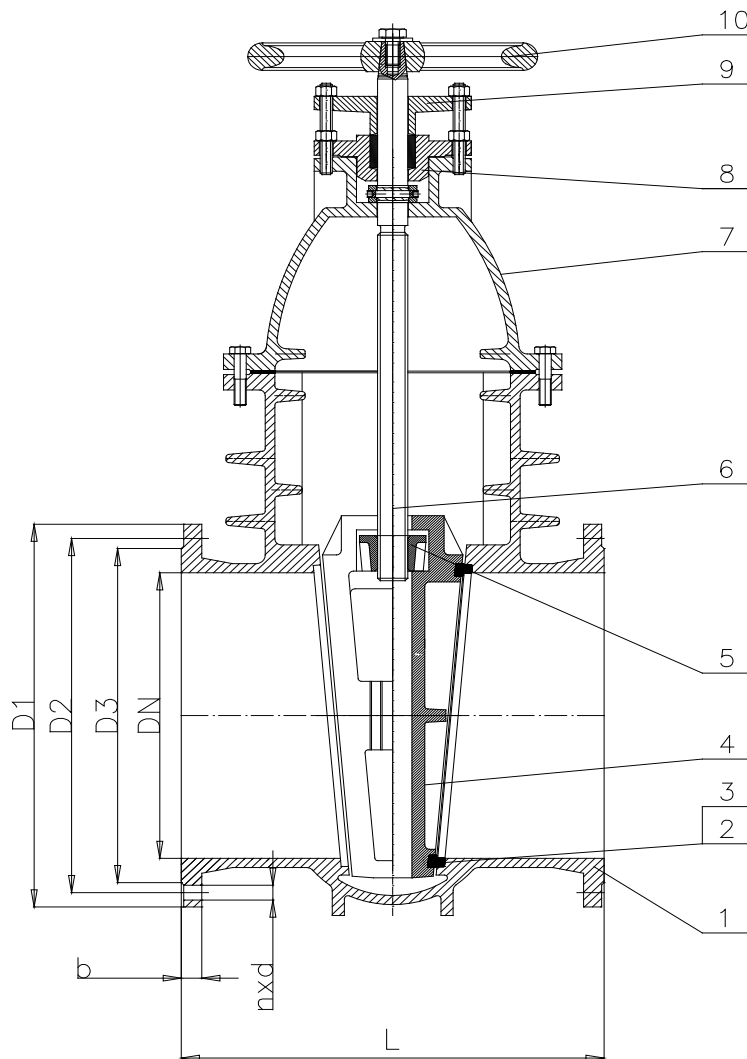
<http://www.cia.bg>

E-mail: cia@cia.bg



DIMENSIONS

DN	D1	D2	D3	L	H	n	d	d1	b	Dk
350	505	460	430	550	16	22	30	400	350	505
400	565	515	482	600	16	26	32	450	400	565
500	670	620	585	700	20	26	34	-	500	670
600	780	725	685	800	20	30	36	-	600	780
800	1015	950	905	1000	24	33	44	-	800	1015



Note : Series 254 is without hand reel

All rights reserved. The designs, materials and specifications shown are subject to change without notice. This is due to the continuous development of our product programme.