



CAST IRON ARMATURE BULGARIA® SA

7800 Popovo, Industrial zone

Phone: + 359 608 43654

<http://www.cia.bg>

E-mail: cia@cia.bg



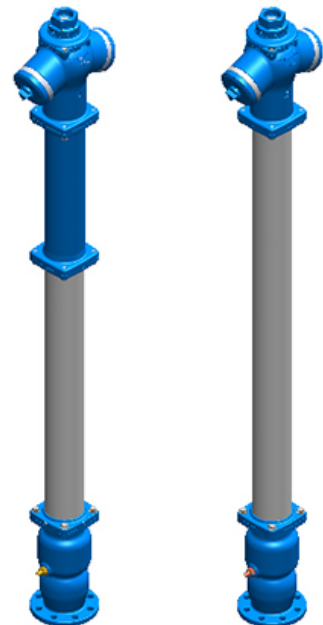
| OVERGROUND HYDRANT | DN | PN |
|--------------------------------------|----|----|
| SERIES 661 – New! Innovative product | 80 | 16 |

The innovative product is implemented in production within the project BG161PO003-1.1.07-0352-C0001 "Incorporate of innovative overground hydrant", implemented with the financial support of Operational Programme "Development of the Competitiveness of the Bulgarian Economy" 2007-2013, co-financed by EC of the ERDF and the national budget of the Republic of Bulgaria.

APPLICATION

Hydrant is a device for connection with a water-pipe or a fire hose for putting out fire, washing, pouring and etc. The overground hydrant is implemented as shut-off device.

It is functioned for water feeding of fire extinguishing, hydro meliorate, irrigation and other water equipment at a pressure up to PN 16 and $T_{max} = 70^{\circ} C$. Water emptying is possible through two outlets. After closure, the emptying of the rest amount of water is performed automatically by means of releasing valve. It has automatically protection the water froze in the pipes. Offers optimized solution for opening and closing the water flow. Easier installation. Protection of high-wear parts and high corrosion resistance. Prevent water losses and leaks in shock. Available with breaker system and without breaker system according to BDS EN 14384.



INSTALLATION:

The overground hydrant is mounted with upper position of the outlets for attachment and works at constant feed water consumption.

**CAST IRON ARMATURE BULGARIA® SA**

7800 Popovo, Industrial zone

Phone: + 359 608 43654

<http://www.cia.bg>E-mail: cia@cia.bg**MATERIALS FOR MAJOR DETAILS**

| No | Detail | Material | Number | Standard |
|----|----------------------|-----------------------|---------------|------------------------|
| 1 | Body | EN-GJL250/EN-GJS500-7 | 5.1301/5.3200 | BDS EN 1561/BDS EN1563 |
| 2 | Valve | EN-GJL250/EN-GJS500-7 | 5.1301/5.3200 | BDS EN 1561/BDS EN1563 |
| 3 | Bolt M8x45/8.8 | zinc plated | | |
| 4 | Nut M8 | zinc plated | | |
| 5 | O ring | EPDM | | |
| 6 | Flange | EN-GJS500-7 | 5.3200 | BDS EN 1563 |
| 7 | Pipe stainless | AISI304 | 1.4301 | BDS EN10088 |
| 8 | Pipe G 1" lower | St-37-2 zinc plated | 1.0037 | BDS EN 10025 |
| 9 | Shaft | EN-GJL250 | 5.1301 | BDS EN 1561 |
| 10 | Pipe connecting | EN-GJL250/EN-GJS500-7 | 5.1301/5.3200 | BDS EN 1561/BDS EN1563 |
| 11 | Pipe G 1" upper | St-37-2 zinc plated | 1.0037 | BDS EN 10025 |
| 12 | O ring | EPDM | | |
| 13 | O ring | EPDM | | |
| 14 | Cover | EN-GJL250/EN-GJS500-7 | 5.1301/5.3200 | BDS EN 1561/BDS EN1563 |
| 15 | Bolt M8x45/5.8 | zinc plated | | |
| 16 | Coupler | AlSi9Cu2 | | |
| 17 | Head | EN-GJL250/EN-GJS500-7 | 5.1301/5.3200 | BDS EN 1561/BDS EN1563 |
| 18 | O ring | EPDM | | |
| 19 | Bonnet | EN-GJL250/EN-GJS500-7 | 5.1301/5.3200 | BDS EN 1561/BDS EN1563 |
| 20 | Swivel | EN-GJL250/EN-GJS500-7 | 5.1301/5.3200 | BDS EN 1561/BDS EN1563 |
| 21 | Screw M8x20 | zinc plated | | |
| 22 | Washer ø8 | zinc plated | | |
| 23 | Guide | X20Cr13 | 1.4021 | BDS EN 10088 |
| 24 | O ring | EPDM | | |
| 25 | Air valve | CuZn36Pb3 | 2.0375 | BDS EN 12164 |
| 26 | Bolt 12x35/8.8 | zinc plated | | |
| 27 | Washer ø12 | zinc plated | | |
| 28 | Release valve | CuZn36Pb3 | 2.0375 | BDS EN 12164 |
| 29 | Nut | CuZn40Pb2 | CW617N | BDS EN 12164 |
| 30 | Stop screw M6x12 | zinc plated | | |
| 31 | Washwr ø10 | zinc plated | | |
| 32 | Bolt 10x25/5.8 | zinc plated | | |
| 33 | Chain zinc plated | S235JR | 1.0038 | BDS EN 10025-2 |
| 34 | Label | PVC | | |
| | Flanges | | | BDS EN 1092-2 |
| | Coupler's dimensions | | | DIN 14318-B1 |
| | Coating | Epoxy RAL 5015 | | |



CAST IRON ARMATURE BULGARIA® SA

7800 Popovo, Industrial zone

Phone: + 359 608 43654

<http://www.cia.bg>

E-mail: cia@cia.bg



DIMENSIONS

| CODE | H1 | H2 | Rd | Kg |
|------------------------|------|------|------|----|
| With breaker system | | | | |
| 661080400000 | 2350 | 1385 | 1500 | 55 |
| 661080400010 | 2100 | 1135 | 1250 | 52 |
| 661080400020 | 1850 | 885 | 1000 | 49 |
| Without breaker system | | | | |
| 661080490000 | 2350 | 1385 | 1500 | 48 |
| 661080490010 | 2100 | 1135 | 1250 | 45 |
| 661080490020 | 1850 | 885 | 1000 | 42 |

| | |
|--|------------------------------|
| BDS EN 14384:2005 FIRE OVERGROUND HYDRANT, SERIES 661 With a body of cast iron or ductile iron with epoxy coating and an outer stainless steel tube DN 80, 2xB, PN 16 bar, RD 1000÷1500 mm | |
| Closing direction | In a clockwise |
| Number of revolutions | 6,5 |
| Moment (MOT, mST) | MOT 42 Nm, mST ≥ 300 Nm |
| Flanges input | According EN 1092-2 |
| Kv | 82,5 [m ³ /h]/bar |



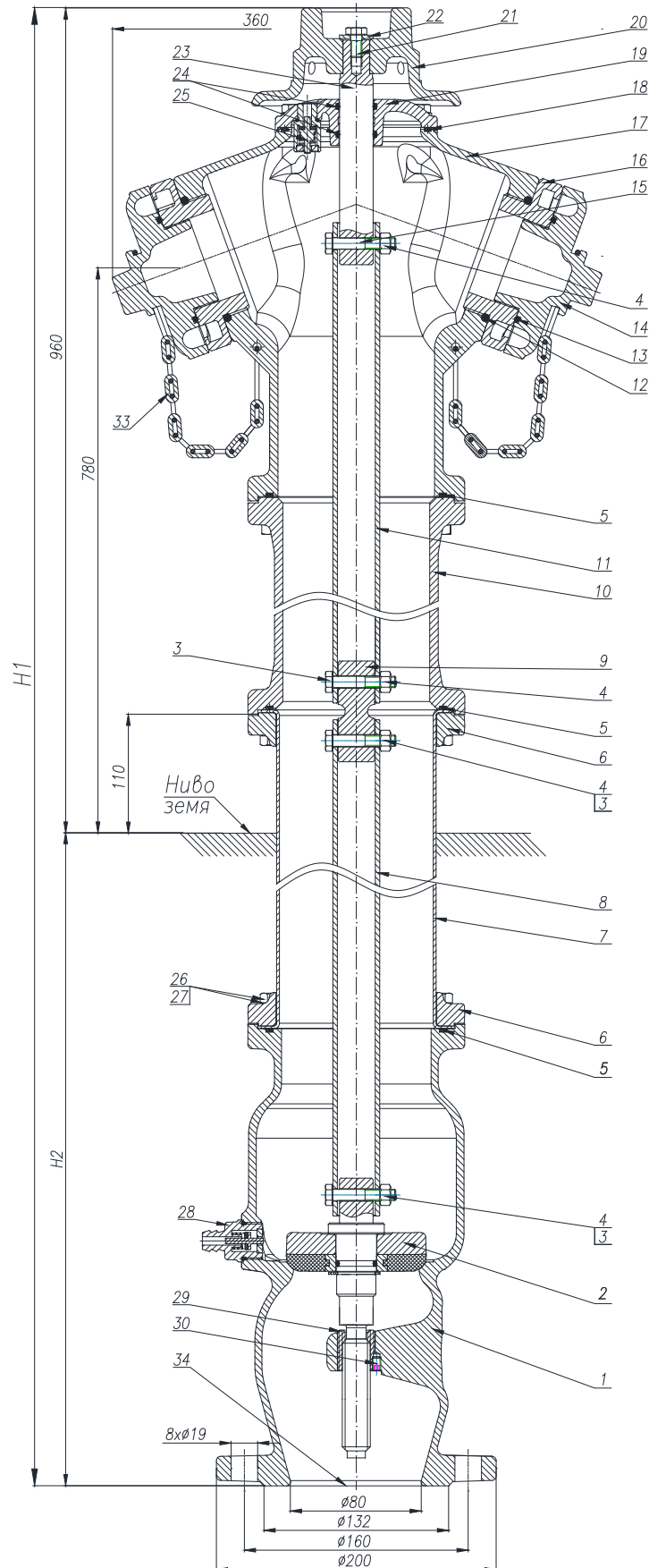
CAST IRON ARMATURE BULGARIA® SA

7800 Popovo, Industrial zone

Phone: + 359 608 43654

<http://www.cia.bg>

E-mail: cia@cia.bg



All rights reserved. The designs, materials and specifications shown are subject to change without notice. This is due to the continuous development of our product programme.