



CAST IRON ARMATURE BULGARIA® SA

7800 Popovo, Industrial zone

Phone: + 359 608 43654

<http://www.cia.bg>

E-mail: cia@cia.bg



OVERGROUND HYDRANT	DN	PN
SERIES 660	80	16

APPLICATION:

Hydrant is a device for connection with water line or a fire hose. The over ground hydrant is used as shut-off device. It is used for water feeding of fire extinguishing equipment, irrigation and other water equipment at a pressure not exceeding PN 16 and T_{max} 60°C. After closing, the remaining water is automatically released from the hydrant through a releasing valve as a protection against freezing.

INSTALLATION:

The over ground hydrant is mounted in vertical position.



MATERIALS FOR MAJOR DETAILS

No	Detail	Material	Number	Standard
1	Body	EN-GJL 250	5.1301	BDS EN 1561
2	Valve	EN-GJL 250	5.1301	BDS EN 1561
3	Pipe	EN-GJL 250	5.1301	BDS EN 1561
4	Pipe	S235 zinc plated	1.0037	BDS EN 10025
5	Bushing	EN-GJL 250	5.1301	BDS EN 1561
6	Pipe	EN-GJL 250	5.1301	BDS EN 1561
7	Head	EN-GJL 250	5.1301	BDS EN 1561
8	Coupler	Al2MEN-G5Si1	3.2318	
9	Guide	X20Cr13	1,4021	BDS EN 10088-1
10	"O" ring	NBR		
11	Swivel	EN-GJL 250	5.1301	BDS EN 1561
	Flanges			BDS EN 1092-2
	Coating	Alkyd enamel RAL 3000		
		Epoxy RAL 5015		



CAST IRON ARMATURE BULGARIA® SA

7800 Popovo, Industrial zone

Phone: + 359 608 43654

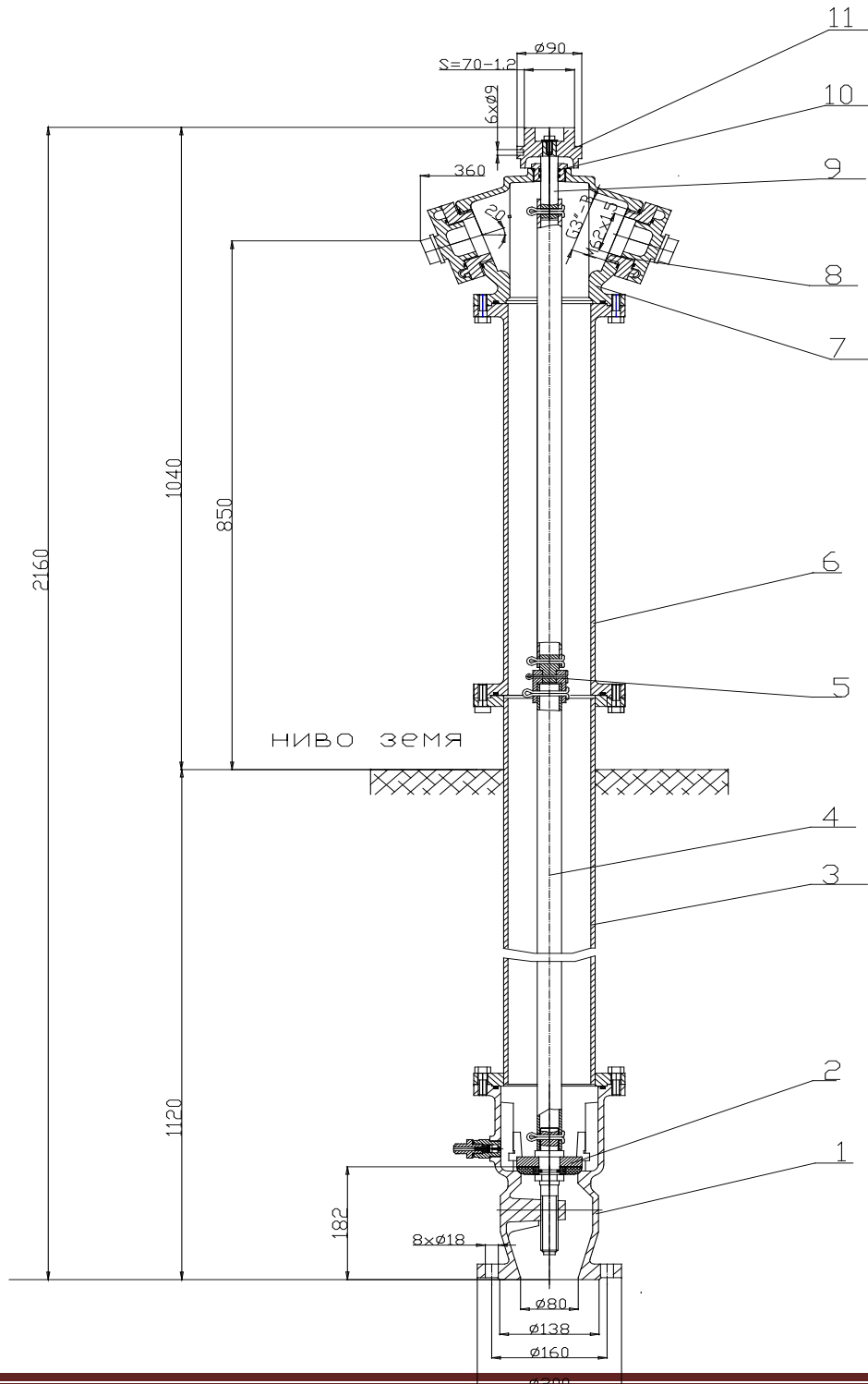
<http://www.cia.bg>

E-mail: cia@cia.bg



DIMENSIONS

CODE	H1	H2	RD	KG
66008040000	2410	1370	1500	84
66008040010	2160	1120	1250	77,5
66008040020	1910	870	1000	68



All rights reserved. The designs, materials and specifications shown are subject to change without notice. This is due to the continuous development of our product programme.